

Contactor Connection Diagram for a devireg™ 330

The devireg™ 130 Series Thermostats have a limited switching capacity. Contactors are required whenever the heating load exceeds the thermostats capacity of 15 Amps.

When wiring to a contactor, the **Active** output of the thermostat (1), is used to energise the coil on the contactor through **A2** terminal and the **Neutral** output of the thermostat (4), is used to energise the coil on the contactor through **A1** terminal.

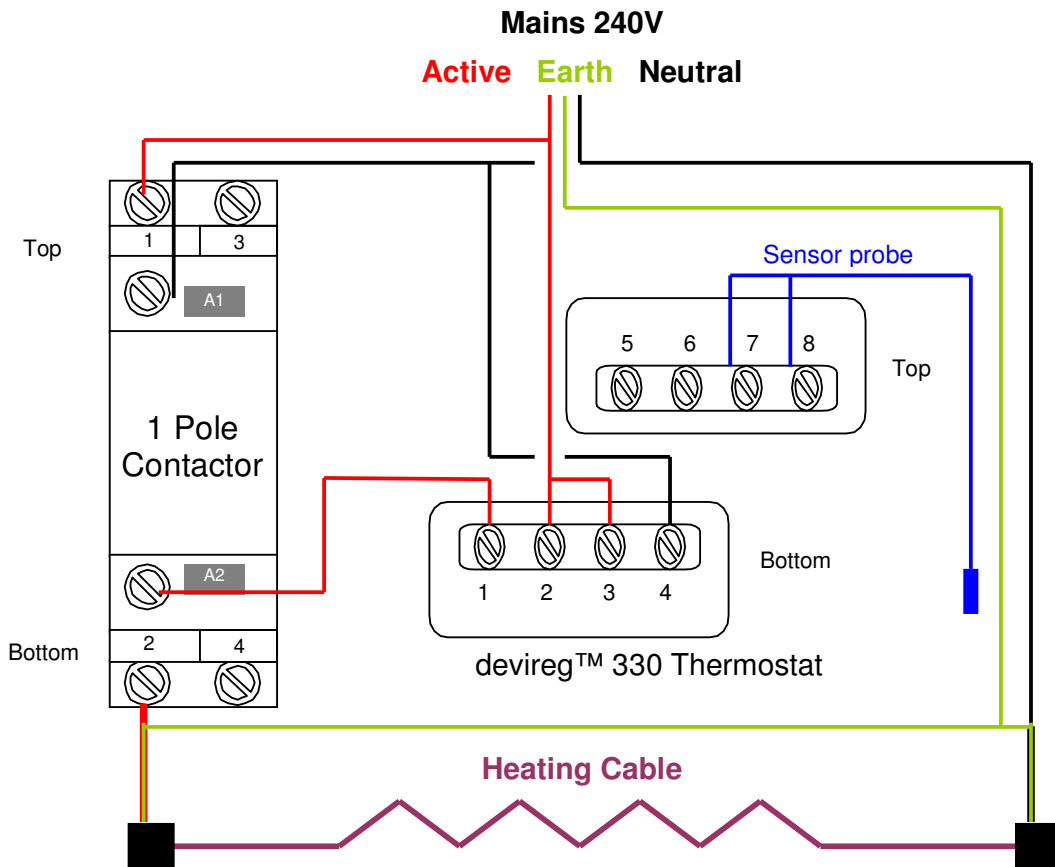
The **Active** feed from the Mains power is switched through the contactor at terminal 1 and the **Active** feed from the **Heating Cable** is switched through the contactor at terminal 2.

For a multi-pole contactor, multiple **Active** feeds from the Mains power are switched through the contactor at terminals 1, 3 & 5 etc, with the **Active** feeds from the **Heating Cables** switching through the contactor at terminals 2, 4 & 6 respectively.

A multiple pole contactor is required where there are multiple heater cables to be switched from the one thermostat *i.e.* 1 zone but more than 1 heater. Ensure that the number of heater cables connected to any one terminal does not exceed the current rating of the contactor. For example: If five heaters at 4,700W each are to be connected to a 3 pole 63A contactor, two heaters can be on two poles each and one on the other - **NOT three on one pole and one on the another pole.**

The **Neutral** load does not require to be returned through the thermostat. Simply join to the **Neutral** feed from the Mains power - as shown in the diagram below.

The **Earth** braid at both ends of the Heating Cable is simply joined to the **Earth** feed from the Mains power - as shown in the diagram below.



BROCDEV403.1